



SQUARE PLATTER
N 5611 31.5 x 31.5 cm.
(12 3/8" x 12 3/8") 1,235 g.



SQUARE DINNER PLATE
N 5601 27.0 x 27.0 cm.
(10 5/8" x 10 5/8") 894 g.



SQUARE SALAD PLATE
N 5602 22.0 x 22.0 cm.
(8 5/8" x 8 5/8") 536 g.



SQUARE SOUP PLATE
N 5603 20.0 x 23.5 cm.
(7 7/8" x 9 1/4") 603 g.



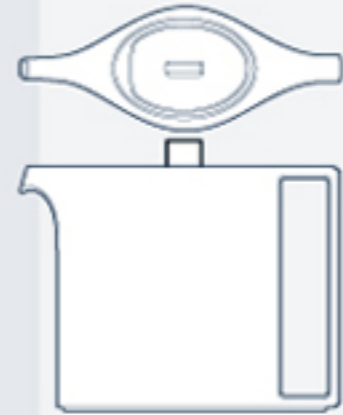
SQUARE PLATE
N 5626 14.5 x 14.5 cm.
(5 3/4" x 5 3/4") 205 g.



PICKLE DISH
N 5612 14.5 x 23.0 cm.
(5 3/4" x 9") 332 g.



RECTANGULAR DINNER PLATE
N 5646 27.0 x 31.5 cm.
(10 5/8" x 12 3/8") 965 g.



COFFEE POT WITH LID
N 5615/L 1.2 ltr. (42.24 oz.) 901 g.
N 5616/L 0.48 ltr. (16.90 oz.) 496 g.



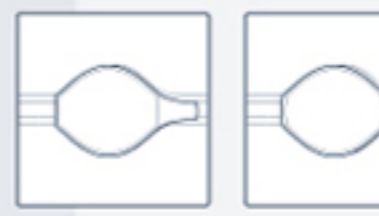
TEA POT WITH LID
N 5617/L 1.10 ltr. (38.72 oz.) 883 g.
N 5641/L 0.41 ltr. (14.43 oz.) 442 g.



COFFEE CUP
N 5606 0.20 ltr. (6.86 oz.) 163 g.
N 5613 0.22 ltr. (7.74 oz.) 180 g.
COFFEE CUP SAUCER
N 5607 15.0 x 15.0 cm. (5 7/8" x 6") 232 g.



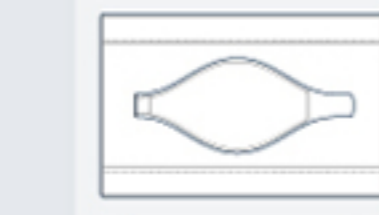
ESPRESSO CUP
N 5604 0.08 ltr. (2.99 oz.) 94 g.
ESPRESSO CUP SAUCER
N 5605 11.5 x 11.5 cm. (4 1/2" x 4 1/2") 123 g.



COFFEE CUP STACKABLE
N 5636 0.27 ltr. (9.50 oz.) 203 g.
N 5637 0.22 ltr. (7.74 oz.) 176 g.
SQUARE COFFEE CUP SAUCER (OPEN WELL)
N 5639 15.0 X 15.0 cm. (5 7/8" x 5 7/8") 234 g.



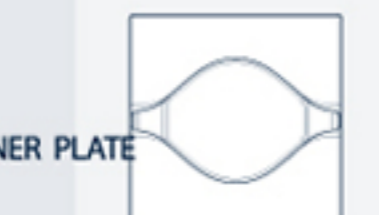
ESPRESSO CUP STACKABLE
N 5636 0.27 ltr. (9.50 oz.) 203 g.
N 5637 0.22 ltr. (7.74 oz.) 176 g.
SQUARE ESPRESSO CUP SAUCER (OPEN WELL)
N 5640 12.0 X 12.0 cm. (4 3/4" x 4 3/4") 119 g.



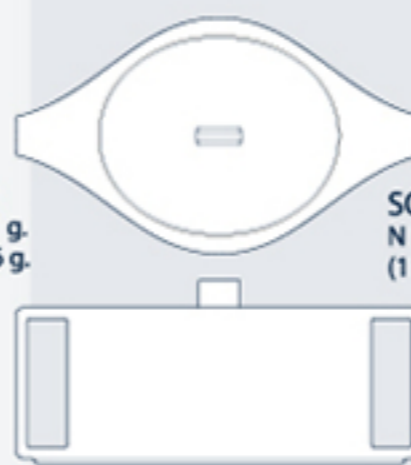
GRAVY BOAT
N 5628 0.34 ltr. (11.96 oz.) 397 g.
GRAVY BOAT STAND
N 5612 14.5 x 23.0 cm.
(5 3/4" x 9") 332 g.



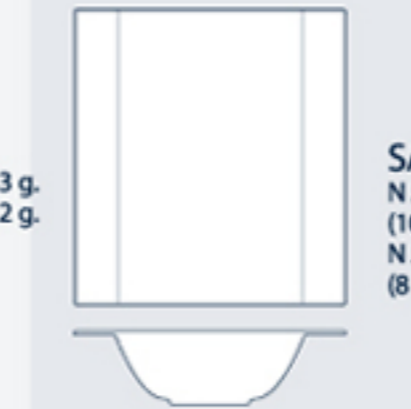
SOUP CUP 2 HDLS. STACKABLE
N 5642 0.30 ltr. (10.56 oz.) 240 g.
SOUP CUP SAUCER
N 5643 16.5 x 16.5 cm.
(6 1/2" x 6 1/2") 302 g.



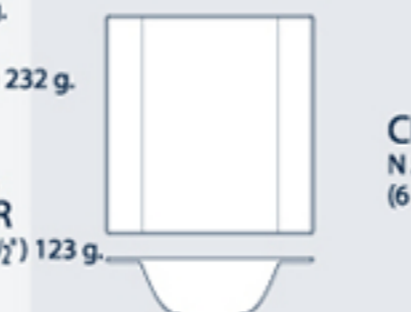
JAM POT COVER / CANAPE DISH
N 5633/L 6.5 X 10.0 cm. (2 1/2" x 4") 43 g.
JAM POT / OPEN SUGAR BOWL
N 5633 0.23 ltr. (8.09 oz.) 192 g.



SOUP TUREEN WITH LID
N 5621/L 3.35 ltr.
(117.92 oz.) 1,868 g.



SALAD BOWL
N 5622 25.5 x 28.0 cm.
(10 1/8" x 11") 1,115 g.
N 5623 21.5 x 23.5 cm.
(8 1/2" x 9 1/4") 696 g.



CEREAL BOWL
N 5624 16.5 x 17.5 cm.
(6 1/2" x 6 7/8") 360 g.



FRUIT BOWL
N 5625 14.0 x 14.0 cm.
(5 1/2" x 5 1/2") 251 g.



SUGAR BOWL WITH LID
N 5618/L 0.33 ltr. (11.62 oz.) 269 g.



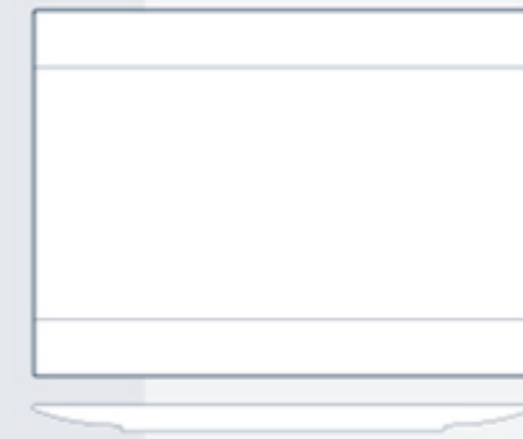
CRAEMER
N 5619 0.25 ltr. (8.80 oz.) 212 g.
N 5620 0.10 ltr. (3.34 oz.) 103 g.



SUGAR PACK HOLDER
N 5631 5.5 X 11.5 cm. (2 1/8" x 4 1/2") 180 g.



RECTANGULAR PLATTER
N 5608 29.0 x 40.0 cm.
(11 3/8" x 15 3/8") 1,600 g.



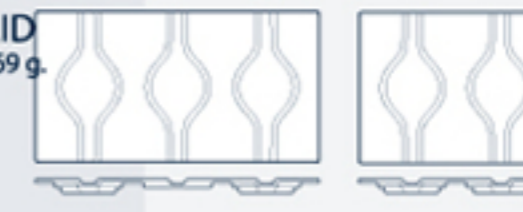
RECTANGULAR PLATE
N 5609 19.0 x 30.5 cm.
(7 1/2" x 11 7/8") 676 g.



RECTANGULAR DEEP PLATTER
N 5610 28.5 x 40.0 cm.
(11 1/4" x 15 3/4") 1,790 g.



LONG TRAY
N 5627 17.5 x 47.5 cm.
(6 7/8" x 18 5/8") 1,005 g.



SERVING CANAPE
N 5644 12.0 x 22.5 cm.
(4 3/4" x 8 7/8") 240 g.
N 5645 12.0 x 15.0 cm.
(4 3/4" x 6") 177 g.



MUG
N 5614 0.40 ltr. (14.08 oz.) 323 g.



SALT SHAKER
N 5629 7.0 cm. (2 3/4") 83 g.
PEPPER SHAKER
N 5630 7.0 cm. (2 3/4") 83 g.



DIP DISH
N 5632 5.5 X 11.5 cm.
(2 1/8" x 4 1/2") 64 g.



EGG CUP
N 5635 3.5 cm. (1 3/8") 93 g.